

Lubricated Air Cooled  
Reciprocating Compressors  
5 - 20 HP

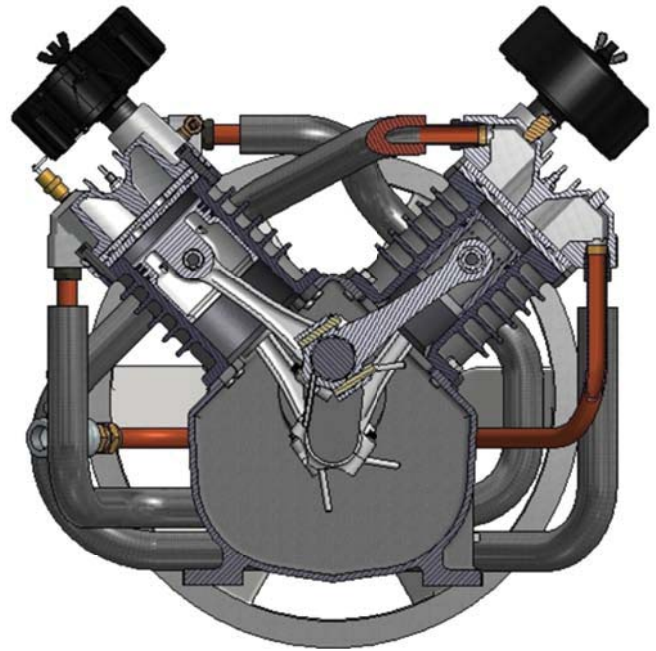


# Compressor Specifications

- Splash Lubricated
- Two – Stage Design
- 100% Cast Iron Compressor Pump
- Alloy Steel Reed Valve
- Oil Level Site Glass
- Deep Finned Intercooler
- Industrial Grade Intake Filter & Silencer
- All Pumps Factory Tested Prior to Shipment

## Standard Equipment

- Automatic Start & Stop Operation
- Horizontal Air Receiver
- 415V/3 Phase/50 Hz Electric Motor
- DOL Starter
- Belt Guard
- V-Belt Drive Arrangement
- Safety Valve
- Discharge & Drain Valve



## Technical Specifications

Lubricated Air Cooled Reciprocating Compressors 5 - 20 HP

Bare Model	Motor		Receiver Size (litrs)	Compressor (rpm)	Bore and Stroke (mm)	PD m <sup>3</sup> /min	Working pressure (m <sup>3</sup> /min)		
	HP	kW					8.5 bar	10 bar	12 bar
RV15	5	3.7	225	630	117.48 & 63.5 x 76.2	0.52	0.44	0.44	0.43
RV15	7.5	5.6	225/300	910		0.75	0.66	0.66	0.66
RV30	10	7.5	300/500	640	117.48 & 117.48 & 63.5 & 63.5 x 76.2	1.06	0.86	0.85	0.85
RV30	12.5	9.3	300/500	740		1.22	1.0	0.99	0.99
RV30	15	11.2	300/500	910		1.5	1.26	1.24	1.23
RV30	20	14.9	300/500	1010	1.67	1.4	1.4	1.39	

Product image is for illustration purpose only, actual Product may vary. Gardner Denver policy is one of continuous improvement and we therefore reserve the right to alter specifications and prices without prior notice. All products are sold subject to the Company's conditions of sale.



RV-15



RV-30

# Gardner Denver

**Gardner Denver (Thailand) Co., Ltd.**

36, Soi Bangna-Trad 23, Bangna-Trad Road, Bangna, Bangkok 10260 THAILAND

Ph.: +66 2396 1134 - 6

Fx.: +66 2396 1138

Email: [ginfo.th@gardnerdenver.com](mailto:ginfo.th@gardnerdenver.com)

<http://gardnerdenverproducts>